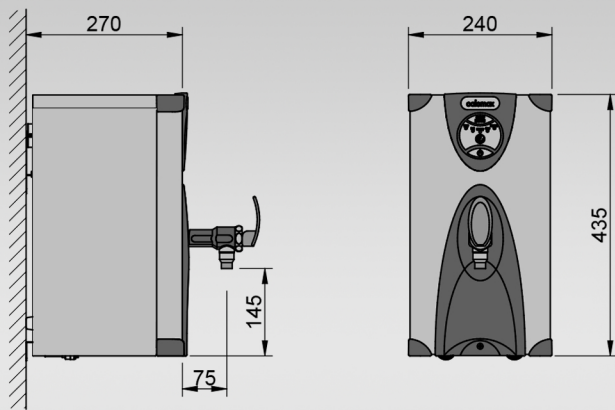


# ECLIPSE 2W3-SS



## Key Features:

- UK designed and made
- 3L rapid draw off
- Temperature controlled between 96°C and 97°C
- Easy install and service features - removable front panel
- Energy-saving "eco" button which reduces the volume of boiling water by 50% at "off peak" times of demand
- Antimicrobial protection in the tap handle
- Clear and unambiguous self-diagnostic display panel
- Integral scale-inhibitor technology
- Extended 2-year warranty
- No steam emissions
- Discrete on/off switch incorporated into moulding
- Competitively priced
- Cool-to-touch stainless steel outer casing
- Push-fit and compression adapter included to simplify installation



**SIZE**

**REF**

**CASING**

**RATING**

**CAPACITY**  
(including initial draw-off)

**DIMENSIONS**  
(W x D x H)

3 LITRE

2W3-SS

STAINLESS  
STEEL

2kW

23 LITRES  
PER HOUR

240 x 270 x 435